

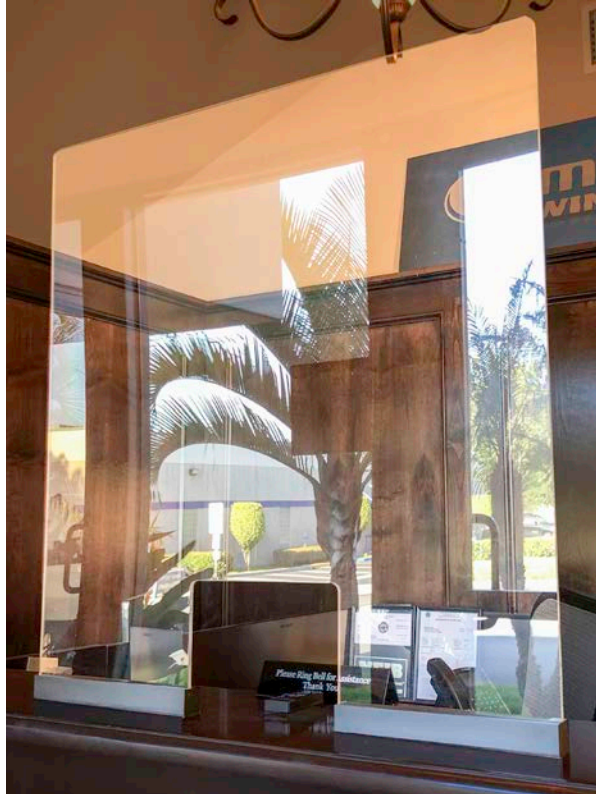
*The Ultimate
Sneeze Guards*



CAMPBELL
SNEEZE GUARDS

We can help you achieve social distancing in style. Our premium quality sneeze guards are designed to be a durable and long-lasting addition to any space, providing safety with minimal effect on your decor.

ABOUT



Protecting
People is Our
Mission

Campbell Sneeze Guards are available in many sizes and configurations to accommodate almost any social distancing need.

Not sure which version is right for you? No problem! You can call and speak to a sneeze guard specialist who will be delighted to assist you in determining the exact size(s) that will best fit your requirements.

Need something customized? We've got you covered! We can manufacture specifically to your design requirements.



C-CLAMP SHOWN

Portable & Permanent Options

TABLETOP	SITS ATOP ANY FLAT SURFACE
C-CLAMP	EASILY ATTACHES TO THE EDGE OF ANY DESK OR COUNTER
MOBILE	FREESTANDING ROLLING PARTITIONS
CUSTOM	MADE TO FIT YOUR SPECIFIC FURNISHINGS

Being close while being safe.

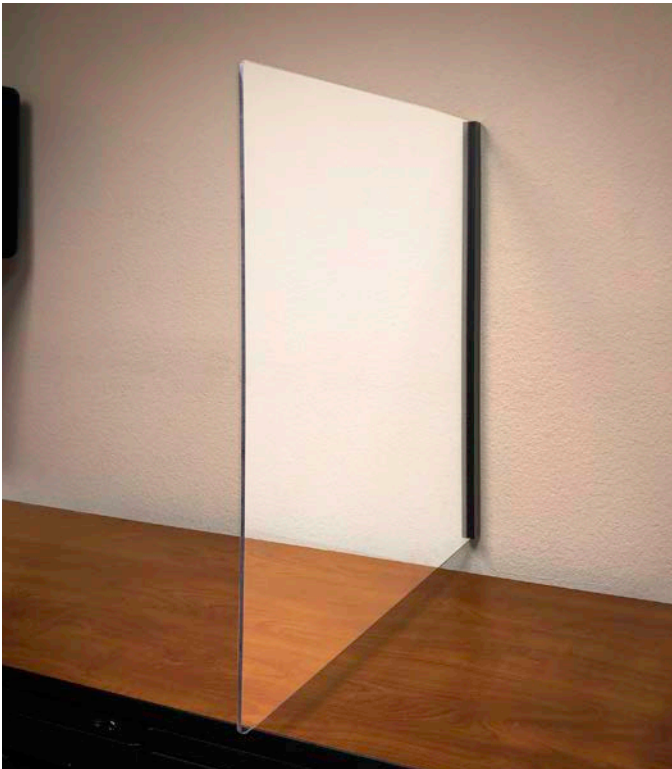


SOCIAL DISTANCING 101



Models can be mounted on a wall or on any flat horizontal surface.

Portable options allow for maximum versatility in any space.



All models are made from heavy grade aluminum and available in dark bronze, silver, or black.



Campbell Sneeze Guards offer durability in a modern slimline design.

Originally developed during the COVID-19 crisis as a social distancing barrier, our easy to install, versatile sneeze guards have a small footprint, taking up very little space on your counter, desk, or table, and can be used as a year-round barrier to protect against common colds and seasonal flu viruses.

—

Our Mobile Series rolling office partitions make excellent social distancing barriers that are versatile, light weight, and easy to move around.

Our abrasion resistant coating protects the panel for added durability, even with very regular cleaning.

Available in crystal-clear acrylic or FDA approved fluted polycarbonate obscured-view panels for improved privacy.

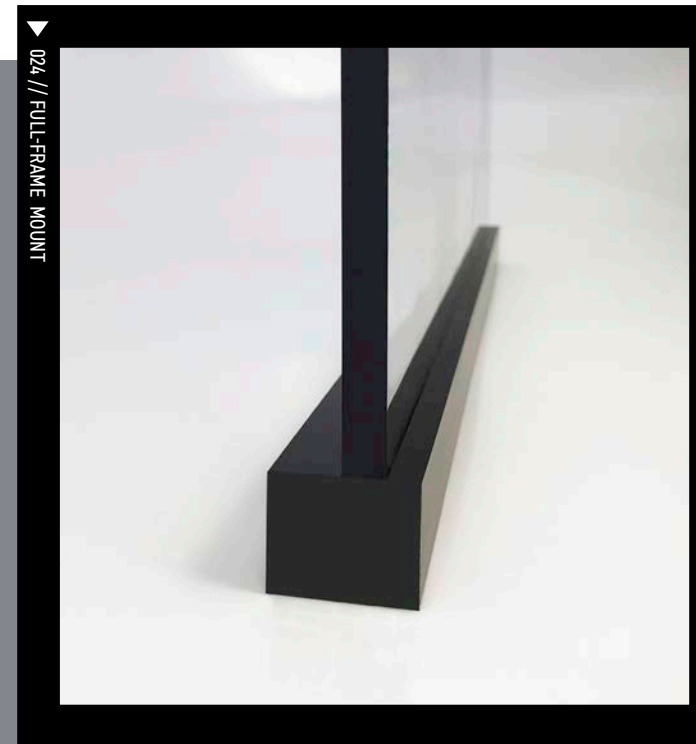


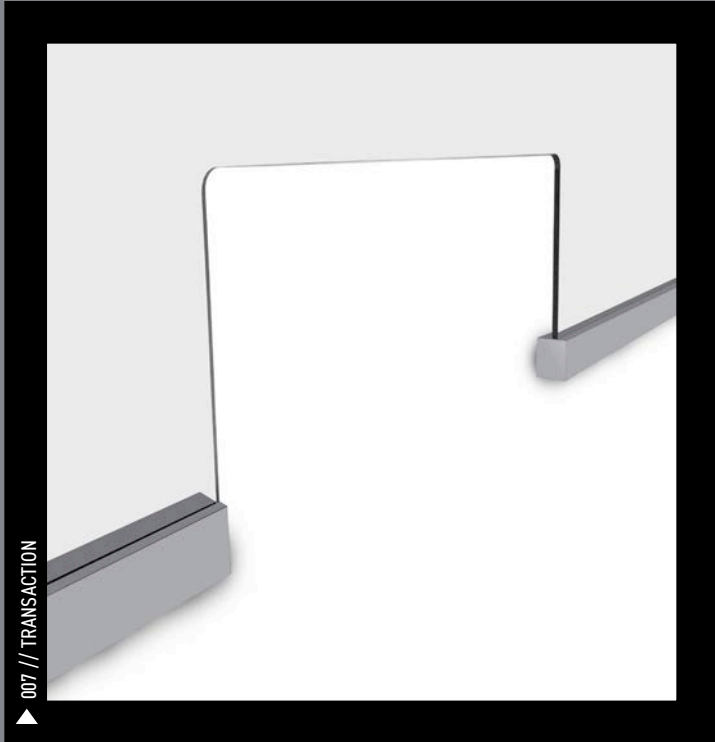
*Mobile
Series*

QUALITY

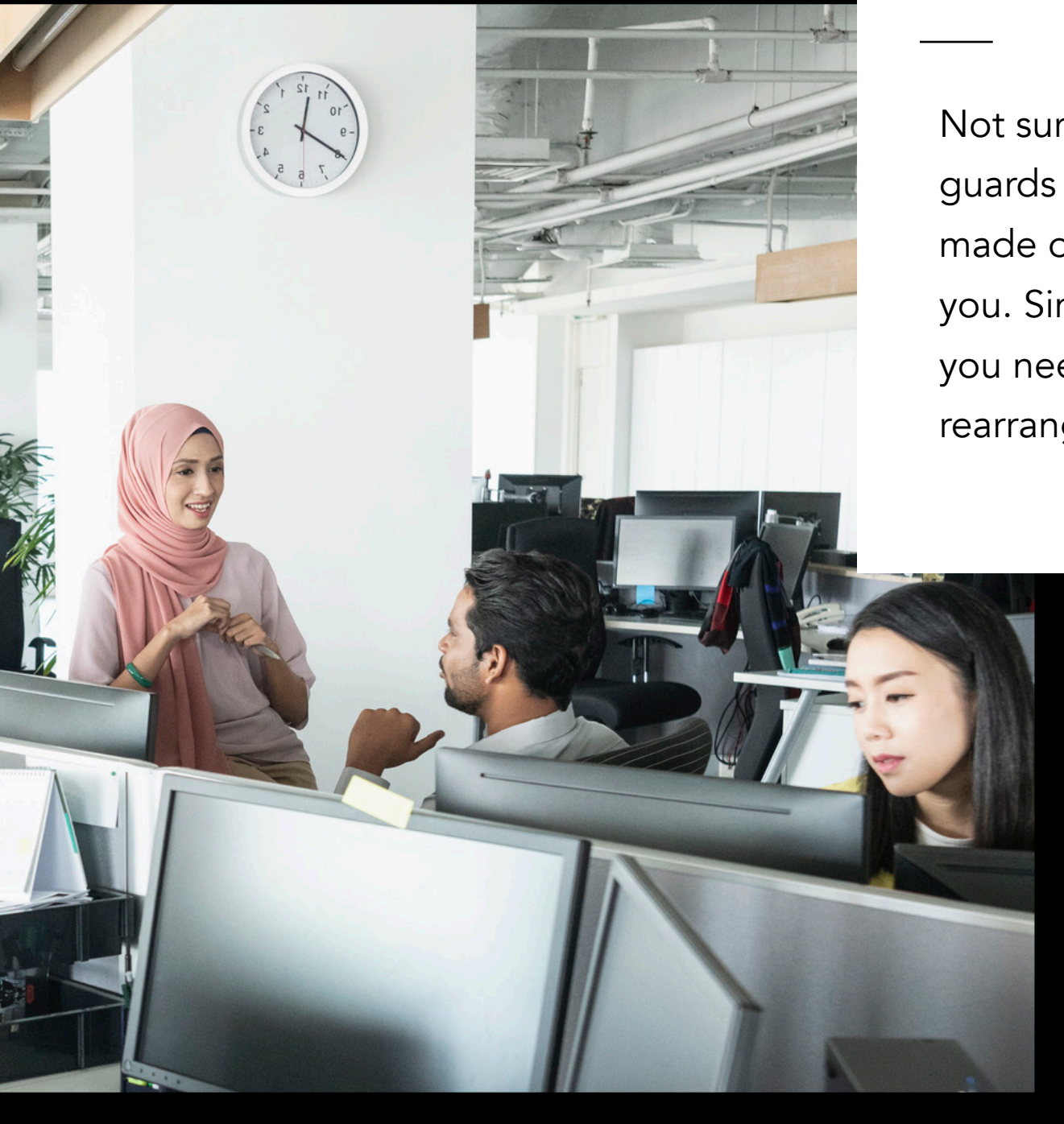


Time to reopen your school, salon, restaurant, bar, or office? Campbell's options are virtually endless. Whether you want an off-the-shelf item for quick delivery, or a custom solution to fit specific furnishings, we have something for you. Ask your sales representative for more details.

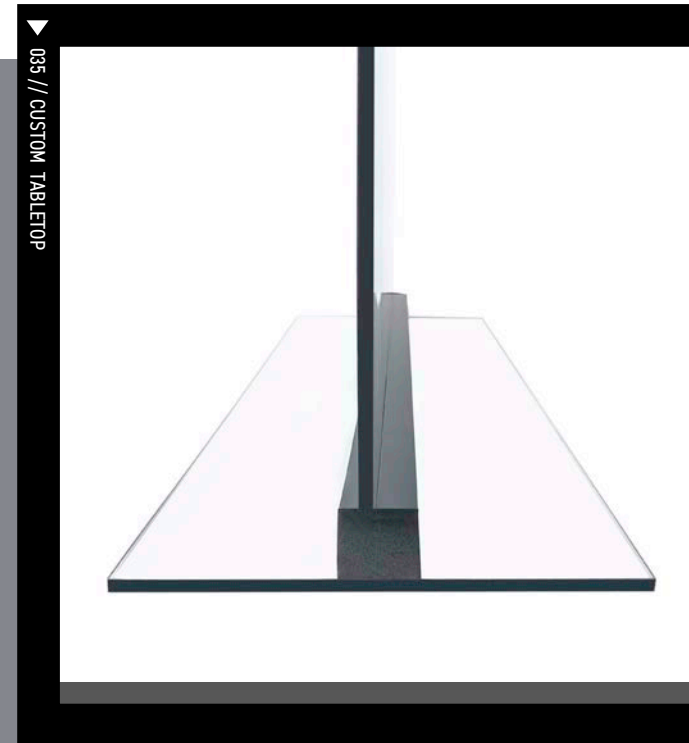


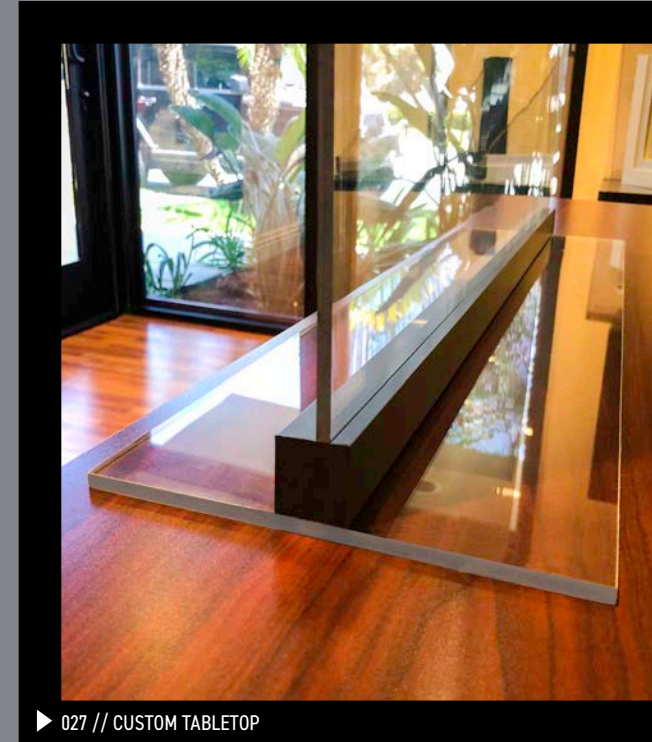
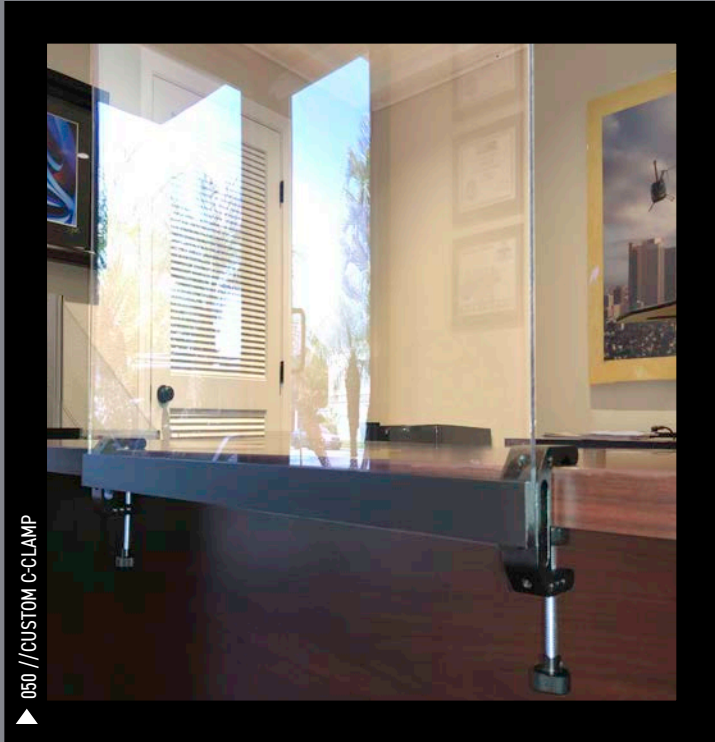


Mounting Options Are Versatile
and Come in Many Configurations



Not sure whether you'll want your sneeze guards in the same place year-round? We made our portable models specifically for you. Simply unbox and put them where you need them. If you ever wish to move or rearrange an area, you can easily do so.





Portable Options Include Our C-Clamp and Tabletop Configurations

In many cases a mobile rolling partition fits the bill to a "T". If you need to provide safety in tight quarters and do not have furnishings for our Tabletop or C-Clamp versions, this may be the solution for you.



023 // MOBILE ROLLING



rolling

Available in clear or obscured. You have options to maintain an open unobstructed feel, or add privacy throughout your space.

Our Quick-Ship portable models are ready to use out of the box by simply assembling the base, inserting the acrylic panel, and placing in the desired location. If you want them in a hurry, these are for you.

Easy Peasy!



YOU GOT THIS! —

EASY TO INSTALL
WITH A FEW HOUSE-
HOLD TOOLS.



Silver C-Clamp Shown

Simplicity of design allows for quick installation and a solid, robust appearance.

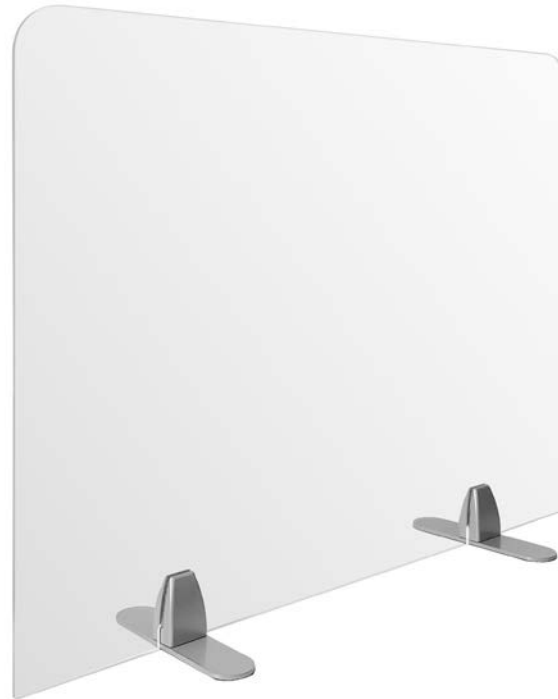
HOW TO ORDER

STEP 1: CHOOSE A SERIES

Option A
Custom Series



Option B
Quick-Ship Series



Option C
Mobile Series

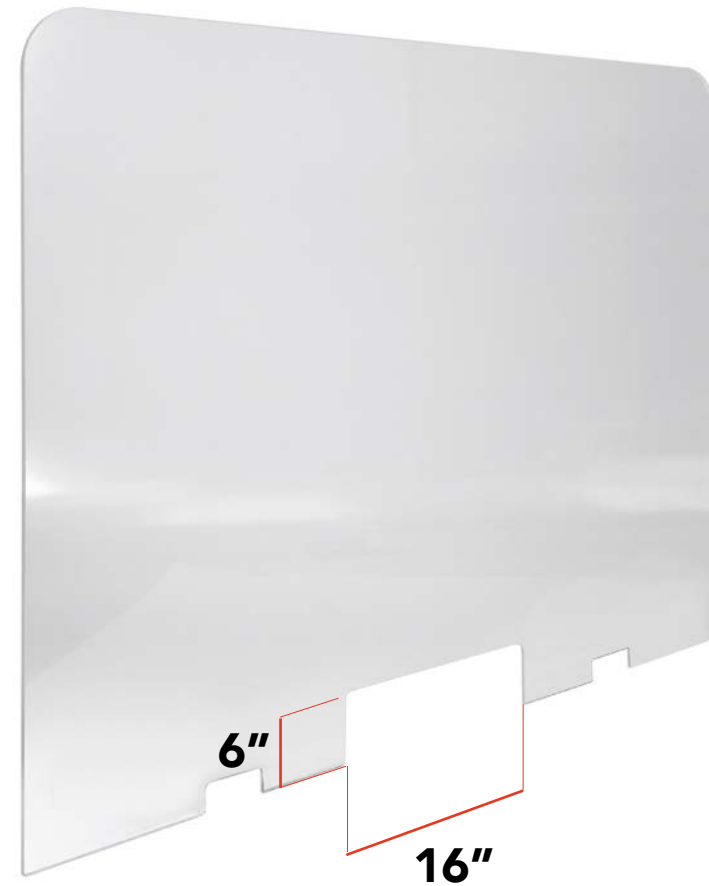


STEP 2: CHOOSE A PANEL TYPE

Option A
Solid Panel



Option B
Transaction Window



Option A
Mobile Clear Acrylic



Option B
Mobile Obscured Polycarbonate





WHEEL SETS INCLUDED WITH BOTH MOBILE OPTIONS



STEP 3: CHOOSE A HARDWARE TYPE

Option A

Quick-Ship C-Clamp



BLACK

Option B

Quick-Ship "L" Type



SILVER

Option C

Quick-Ship Tabletop



BLACK



SILVER



BLACK



SILVER

Option D
Custom C-Clamp*



BLACK

Option E
Custom Tabletop*

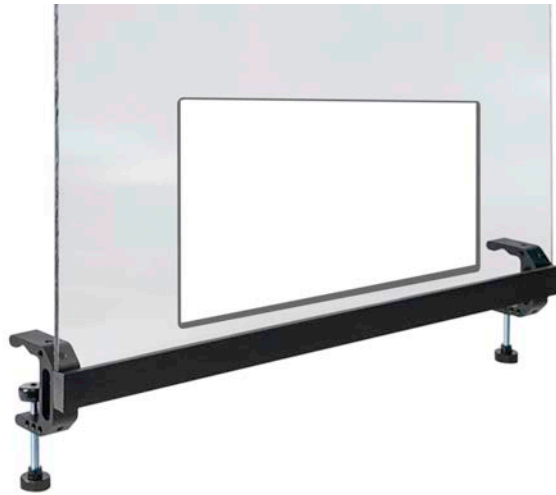


BRONZE

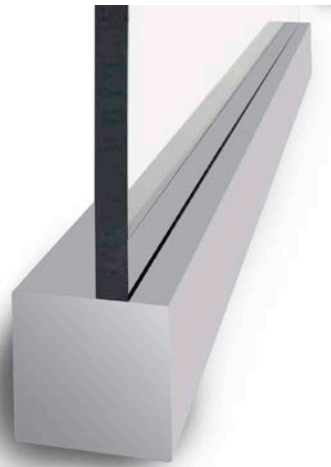
Option F
Custom Cubicle/
Urinal Extender*



STAINLESS STEEL BRUSHED



BLACK



SILVER



STAINLESS STEEL BRUSHED

STEP 4: CHOOSE A PANEL SIZE

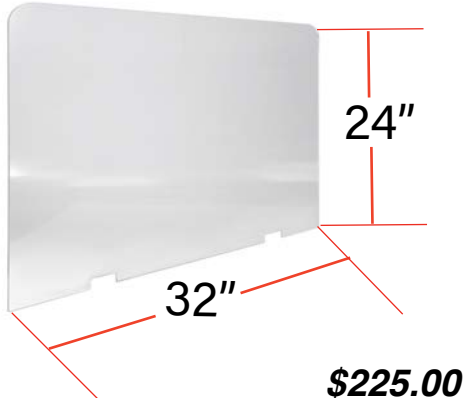
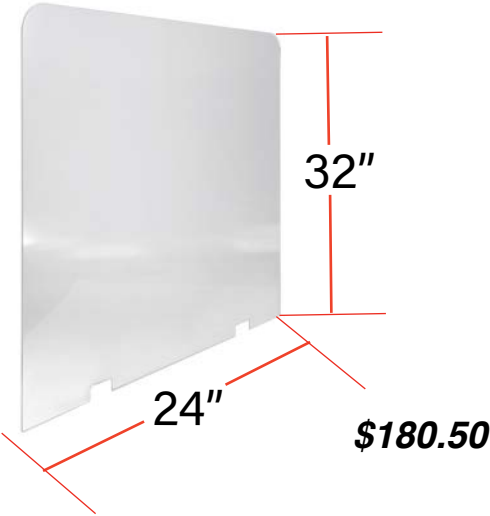
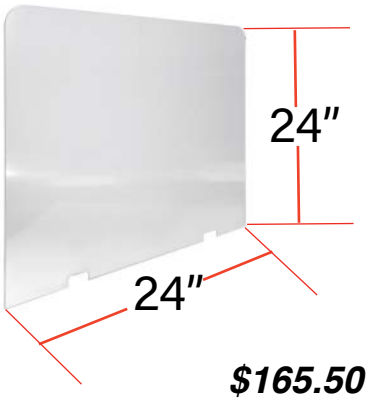
PRICE INCLUDES YOUR CHOICE OF ANY PAIR OF QUICK-SHIP MOUNTING HARDWARE.

Option A
24"W x 24"H

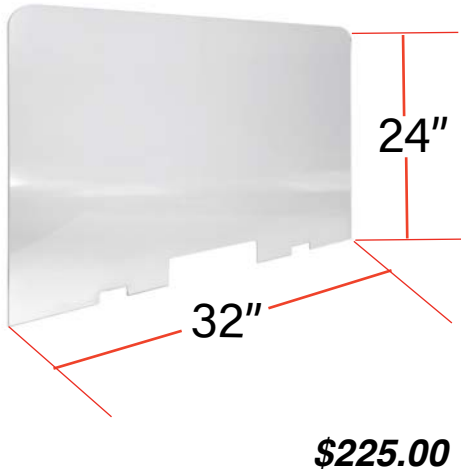
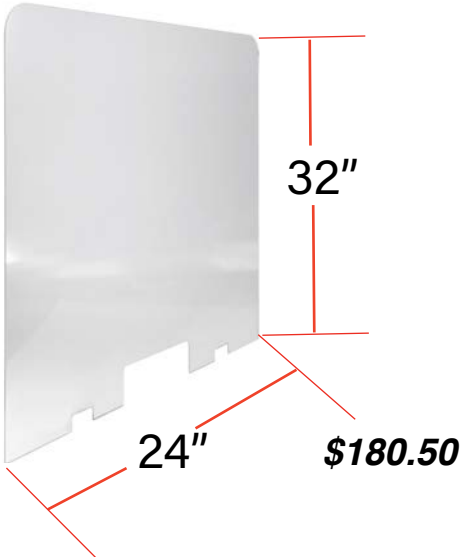
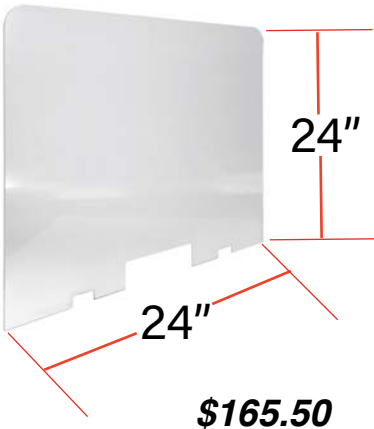
Option B
24"W x 32"H

Option C
32"W x 24"H

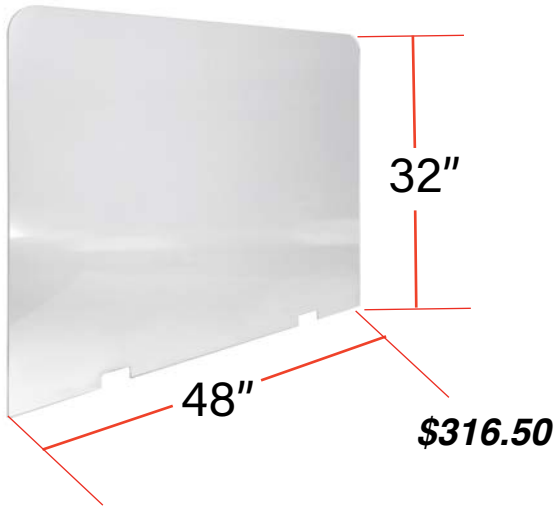
SOLID



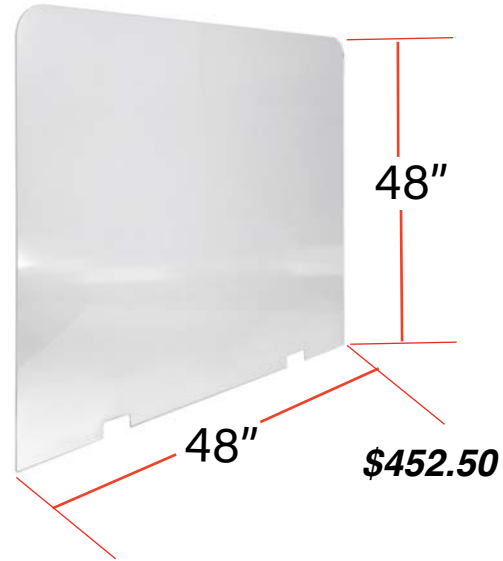
TRANSACTION



Option D
48"W x 32"H



Option E
48"W x 48"H

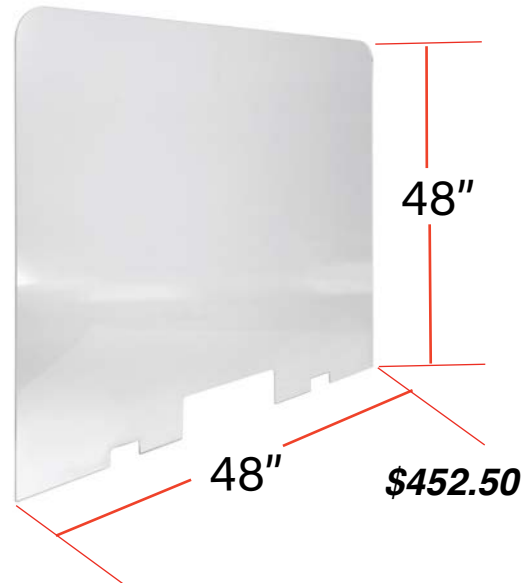
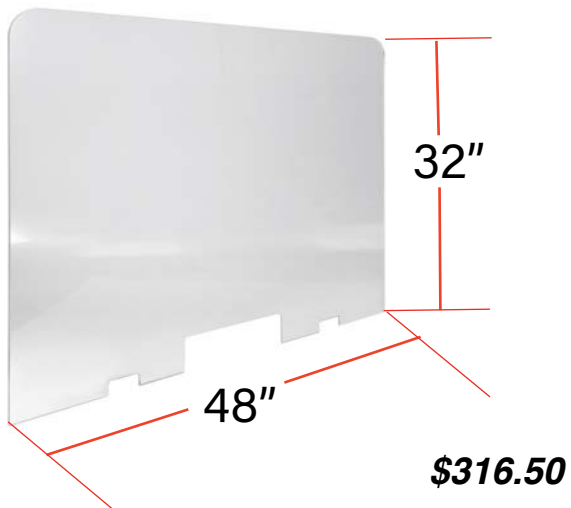


Option F
Custom Sizes

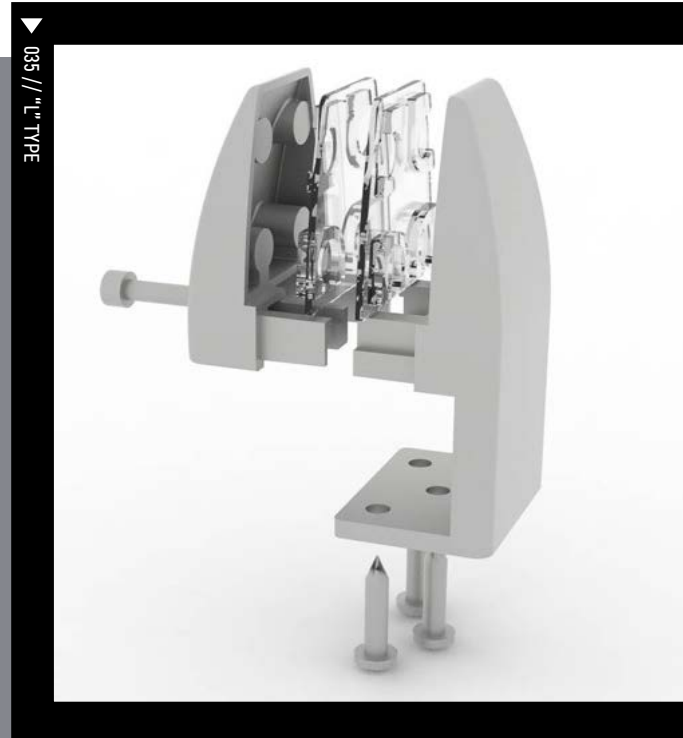


SOLID

TRANSACTION



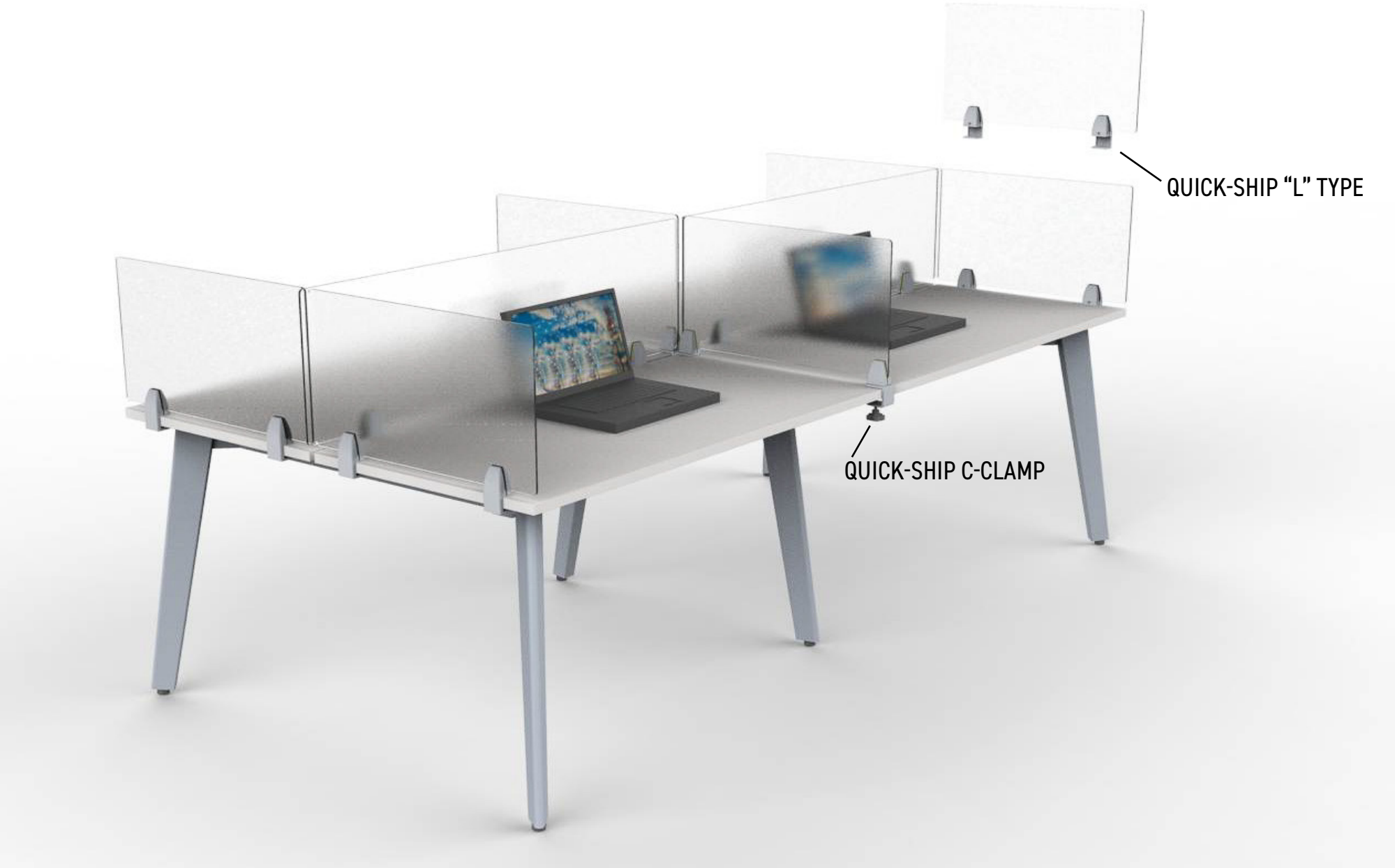
That's it! Simply call or email us. A representative will assist you in completing your order.



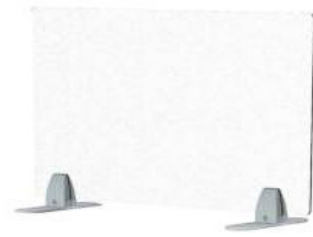


To see our products in person, feel free to visit our showroom Monday through Friday, 9am to 4pm.

INSPIRATION GALLERY



Rendering for demonstrative purposes only.



QUICK-SHIP TABLETOP





Rendering for demonstrative purposes only.





CUSTOM TABLETOP





Rendering for demonstrative purposes only.





Rendering for demonstrative purposes only.



CUBICLE EXTENSION



PANELS HAVE CUT-OUTS
TO ELIMINATE BOTTOM GAP



*The Ultimate
Sneeze Guards*

campbellsneezeguards.com

We will be delighted to assist
you with any questions.
Call us at 800-580-9997,
or email us at
info@campbellcorp.com.

Be safe, and stay healthy!

